

# SIERRA

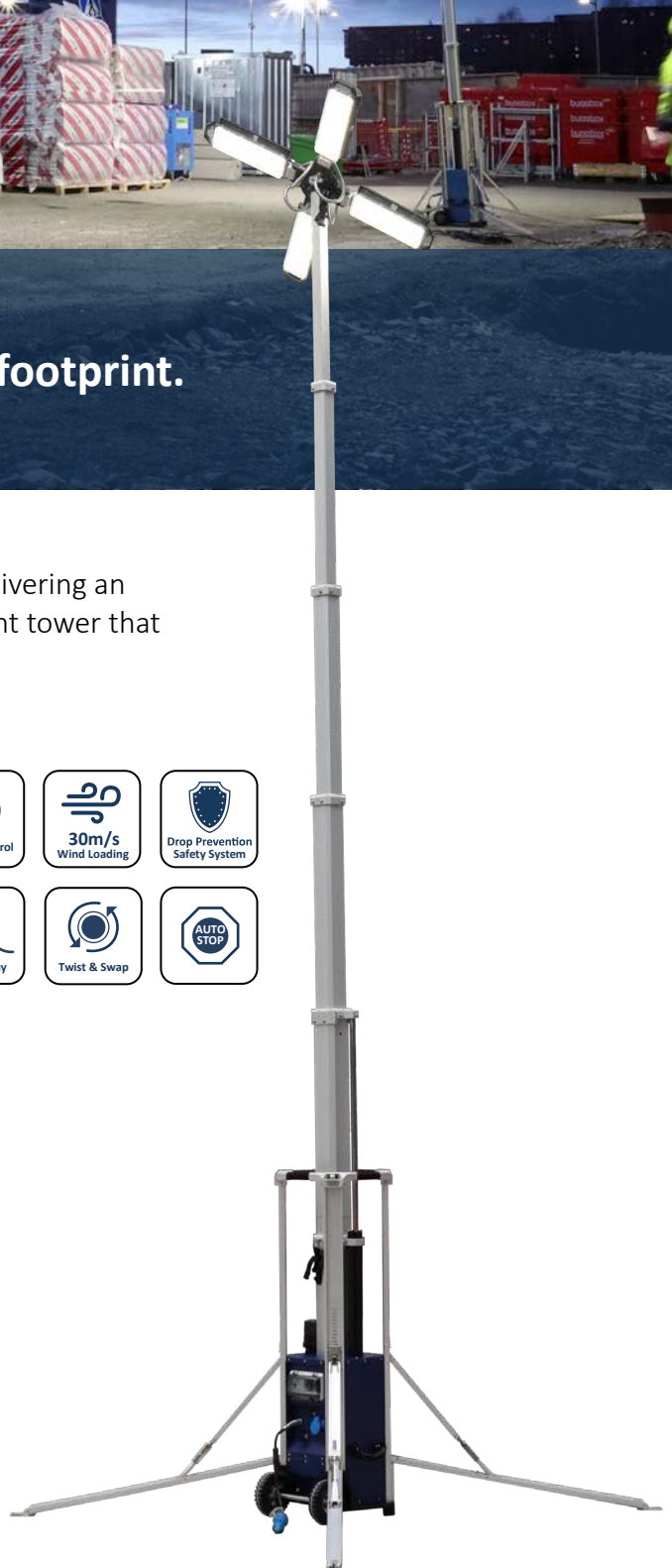
MOBILE LIGHTING HAS EVOLVED



High performance lighting, low carbon footprint.

Designed from the ground up, Sierra is optimized for LED, delivering an unparalleled lighting performance from a robust, 5-meter light tower that fits in your car.

- |  |  |   |   |   |  |  |   |   |
|--|--|---|---|---|--|--|---|---|
| <br>2200m <sup>2</sup><br>Min. 5 lux | <br>2200m <sup>2</sup><br>Avg. 39 lux | <br>lm<br>112,000  | <br>5M                     | <br><49KG    | <br>Dimmable              | <br>Smart Control | <br>30m/s<br>Wind Loading | <br>Drop Prevention<br>Safety System |
| <br>360°4D<br>Light Heads            | <br>Super Compact                     | <br>Rotatable Mast | <br>Minimal<br>Maintenance | <br>Linkable | <br>Electric<br>Elevation | <br>Plug & Play   | <br>Twist & Swap          | <br>AUTO<br>STOP                     |



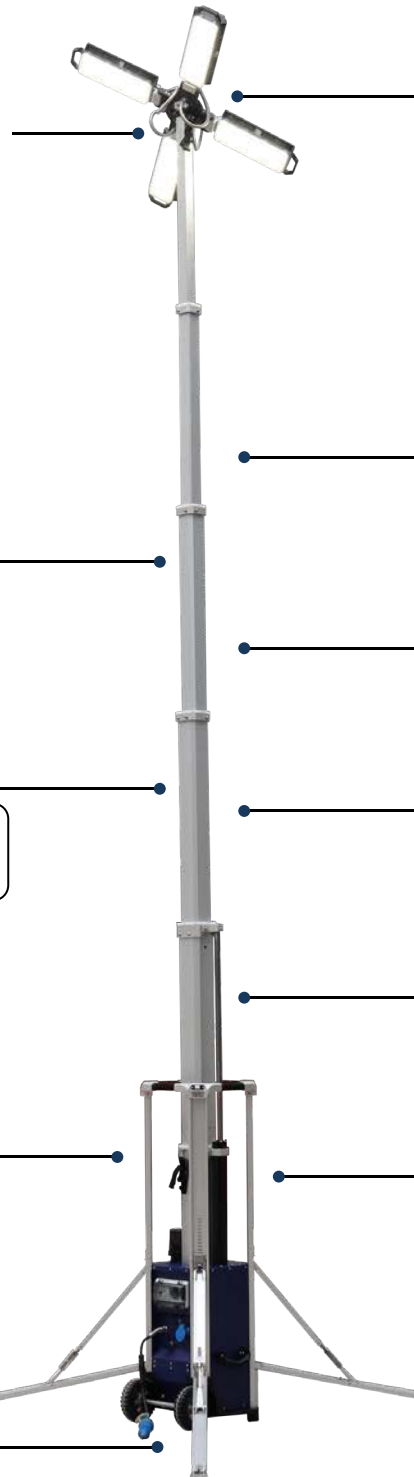
# FEATURES

## LIGHTING PERFORMANCE

2200m<sup>2</sup>  
Min. 5 lux

2200m<sup>2</sup>  
Avg. 39 lux

lm  
112,000



360°4D  
Light Heads

SIMPLE, FOLD OUT, FULLY ROTATIONAL LIGHT HEADS FOR ANY DESIRED CONFIGURATION

## OPERATION

Silent Operation

Minimal Maintenance

Plug & Play

Linkable

LINK UP TO 3 UNITS FROM A SINGLE POWER SOURCE

Twist & Swap

TWIST & SWAP NEMA SOCKET FOR LIGHT CONTROL SOLUTIONS

## SAFETY & STABILITY

Drop Prevention Safety System

5M

30m/s Wind Loading

AUTO STOP

Smart Control

CONTROL, DIM & SCHEDULE LIGHTS REMOTELY

Dimmable

NIGHT MODE LIGHT REDUCTION MINIMIZES ENERGY CONSUMPTION & DISRUPTION TO TRAFFIC AND RESIDENTIAL AREAS

## MAST

Electric Elevation

## MOBILITY

- PUNCTURE PROOF ALL TERRAIN TYRES
- ERGONOMIC HANDLES

## ULTRA COMPACT & LIGHTWEIGHT

Super Compact

<49KG

- SINGLE PERSON DEPLOYMENT
- TWO PERSON LIFT
- ONLY 1.2M TRANSPORT HEIGHT
- DELIVERING COST SAVINGS WITH EACH TRANSPORT



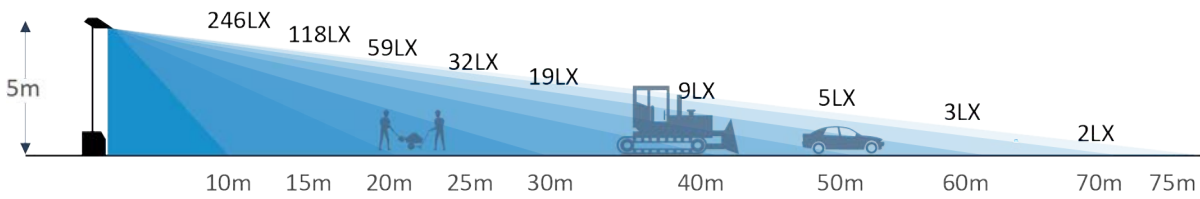
## COMPLETE LIGHTING FLEXIBILITY

With professional grade optics and up to 112,000 lumens, Sierra delivers a more powerful lighting performance than anything in its class.



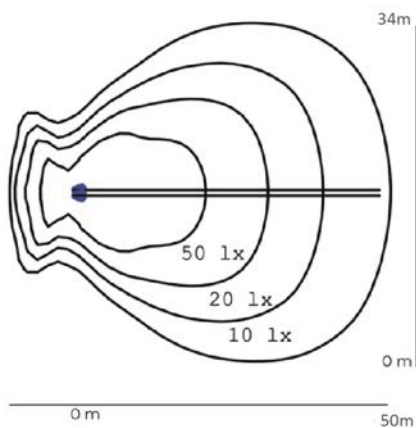
## BRILLIANT LIGHT DISTRIBUTION

Direct the light where you need it. The flexible lamp head makes it possible to have the light exactly where required

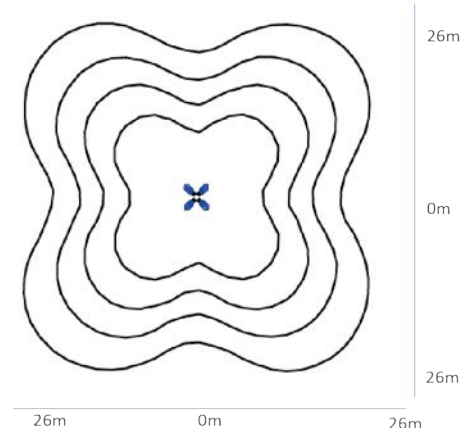


Large illuminated area of **2,200m** with minimum **5 lux** and an average of **39 lux**

All lights facing forward



Lights facing 4 directions

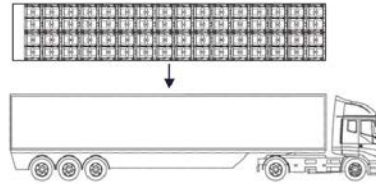


## TRANSPORT EFFICIENCY

Delivering cost savings with each transport to and from site and requiring less storage space when at the depot between rentals



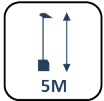
5PCS / EURO PALLET



160PCS / TRAILER

## SAFETY & STABILITY

Patented Triple Drop Prevention System (TDP) makes the mast very safe to use.



- 1 INDIVIDUAL WIRES
- 2 AUTO STOP RAISING / LOWERING
- 3 DROP PREVENTION

## RUN TIMES

### SIERRA

Output %	2.5kWh	5kWh
100%	3 hrs	6hrs
75%	4 hrs	8 hrs
50%	6 hrs	12 hrs

## CLEAN POWER

Sierra pairs perfectly with Xummit Battery Power Stations to provide silent, zero emission illumination for an entire night on a single charge.



## TAKE CONTROL OF YOUR LIGHTING

- Equipped as standard with twist & swap NEMA socket for lighting controls
- Manual ON/OFF & night mode



## OPTIONS

- Bluetooth: Wireless, controllable, remote lighting management
- Astro Timer: Manual, scheduled lighting control
- Daylight Sensing: Maximize efficiency in combination with natural daylight
- Motion Sensing: For security and maximizing efficiency
- Lorawan: Remote lighting management & monitoring



## DESIGNED AND TESTED IN TOUGH ENVIRONMENTS

From the harsh Scandinavian winters, to the hot, rugged terrain of Australia's mining regions, Sierra is built to thrive, providing extremely energy-efficient light in all climates.

## TECH SPEC

### Model

Series	Sierra
Model No.	PLT-800

### Performance

Illuminated Surface	2200 m <sup>2</sup>
System Power	800W
Luminous Flux	112,000 lm
Lumen/W	140
Beam Profile	60
Color Temperature (CCT)	5000K

### Electrical

Operating Voltage	100-305VAC/50Hz
Power Factor	>0.92
Electrical Class	Class I
Protection	Over Voltage / Over Temp. / Short Circuit
Dimmable	Yes
Input Plug	CEE 230V

### Environmental

Ambient Operating Temp. range	-30°C to +45°C
Storage Temp. Range	-40°C to +80°C
IK class	IK08
IP class	IP65 (lighting) / IP54 (chassi)
Noise Emissions	<5dB(A)

### Physical

Fully extended height	5,1 meters
Elevation system	Electric
Mast Rotation	340
Mobility	By hand/ Crane/
Dimensions (min.)	358 x 427 x 1200mm
Dimensions (max.)	1640 x 1640 x 5100mm
Weight	49kg
Wind Resistance	30 m/s
Housing Finish	UV stabilised powder coating

### Approvals

Certifications	CE
Service life L80 B50 (LED)	>100,000 h